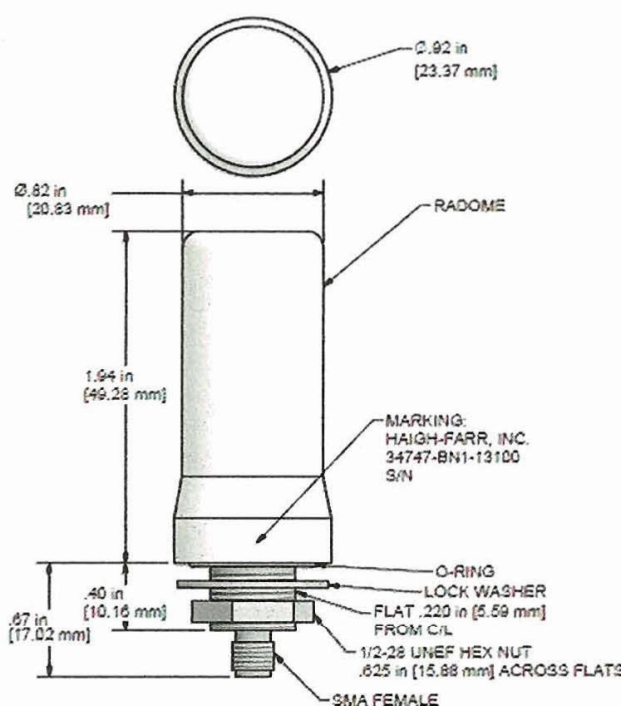




THE WORLD LEADER IN HIGH PERFORMANCE WRAPAROUND™ ANTENNAS.

BROAD-BAND BUTTON ANTENNA P/N BNI-13100

Model BN1-13100 covers frequencies from 1.2 to 3.4 GHz. It provides the omnidirectional coverage of a stub in a rugged package. Haigh-Farr Button antennas are designed for applications where size and weight are critical. They utilize well-proven materials and methods of construction, providing a solid package and requiring only one "D" hole installed in the vehicle for mounting. Superb protection is obtained through the use of a high-impact, high-temperature radome, with excellent properties in environments containing moisture and contaminants.



ELECTRICAL:

Frequency Band:	1.2-3.4 GHz
Power:	>30W Average
VSWR:	<1.8:1 typical, 2.15:1 max over operating band
Input Impedance:	50 Ohms nominal
Polarization:	Linear, vertical
Radiation Pattern:	Omni-directional (see patterns)

MECHANICAL:

Connector:	SMA Female Standard (TNC Optional)
Dimensions:	See above drawing
Weight:	2 oz (57 gm)
Finish:	All exposed metallic surfaces are passivated stainless steel
Environmental:	Typical for supersonic airborne applications
Mounting:	Through "D" hole in vehicle and secured using lock washer and nut

DESIGN CAPABILITY

Haigh-Farr has an over 40 year history of designing and producing exceptionally rugged, high-performance antennas. If you don't find an antenna meeting your requirements in our standard list of products, Haigh-Farr has the experience and modeling capability to customize a solution. Adaptations of existing designs can be done with very short lead times. Contact Haigh-Farr for a review of your antenna requirements.