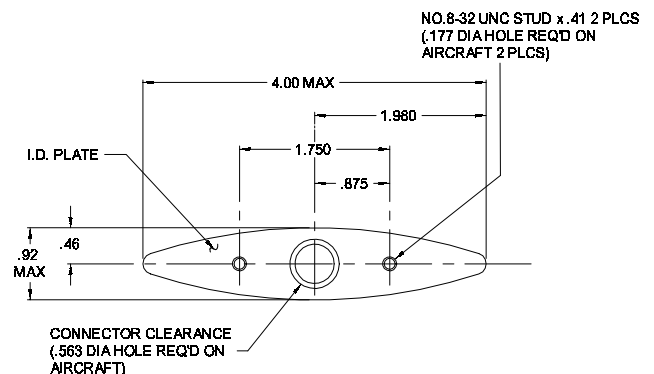
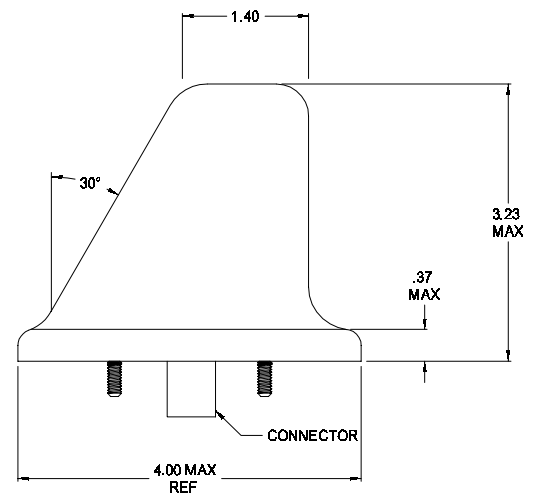


## Frequency • 960-1220 MHz & 1030-1090 MHz

Broadband and rugged antenna designed for DME or transponder use. Antenna assembly encased in a glass reinforced polyester molded shell. Standard two stud mounting configuration. CI 105 includes a BNC connector.



<b>MODEL</b>	CI 105 DME / Transponder
<b>Electrical</b>	
Frequency	960 to 1220 MHz 1030 to 1090 MHz
VSWR	1.5:1 960 to 1220 MHz 1.3:1 1030 to 1090 MHz
Polarization	Vertical
Radiation Pattern	Equivalent of $\lambda / 4$ Stub
Impedance RF	50 Ohms
Resistance DC	Open Circuit
Power RF	2.5 KW Peak
<b>Mechanical</b>	
Weight	0.24 lb. Maximum
Height	3.23 in. Maximum
Material	Molded Radome
Finish	Polyurethane Enamel
Connector	BNC (female)
<b>Environmental</b>	
Temperature	-54°C to +55°C
Altitude	70,000 ft.
Air Speed	400 Knots TAS at 25,000 ft.
<b>Federal Specifications</b>	
RTCA Environmental	DO-160C
Environmental Category	[E1]-B[CLY]XRHXXXXXXXXXXXXXXX
FAA TSO	C66b, C74c
RTCA MOPS	DO-144, DO-189
<b>ORDER OPTIONS</b>	
<b>Connector</b>	
BNC	Standard
<b>Color</b>	
White	Standard
<b>Gasket</b>	
	B10505



**Warning:** Drawing not to scale. Use factory supplied drawings and specifications for installation. Call Comant for updated drawings.  
©2002 Comant Industries Inc.